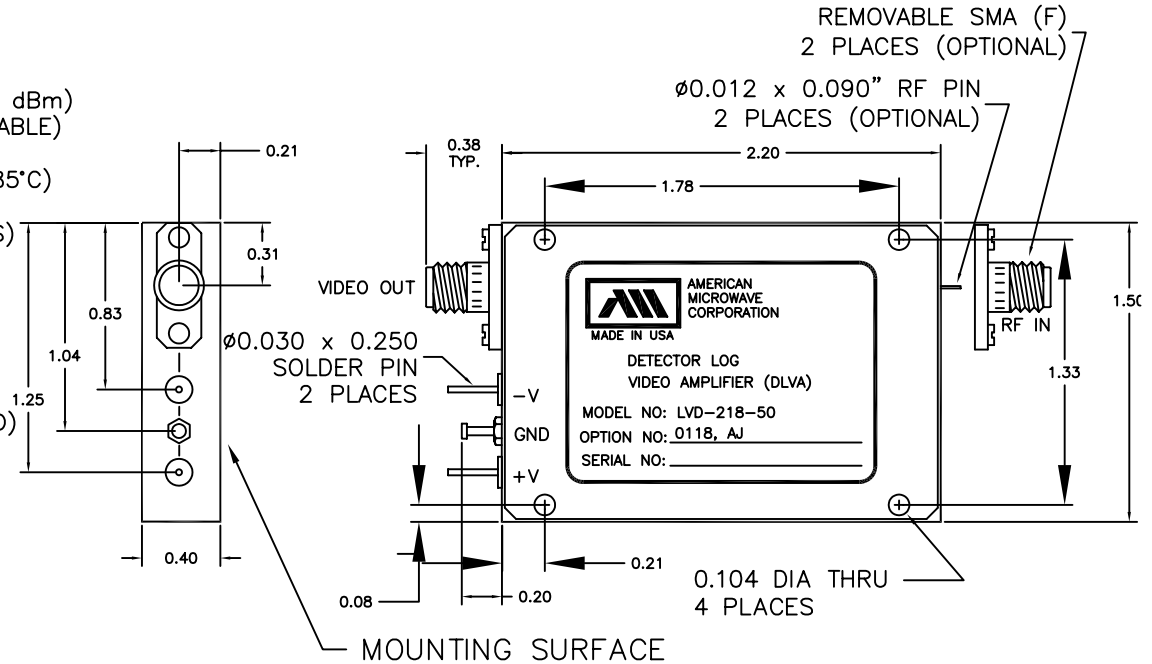


DESCRIPTION

AMC MODEL NO. LVD-218-50 OPTION 0118, AJ OPERATES FROM 100 MHz TO 18 GHz WITH A USEFUL DYNAMIC RANGE FROM -30 dBm TO +10 dBm AND IS TRULY DC COUPLED. UNITS EMPLOY PLANAR DIODE DETECTORS AND INTEGRATED VIDEO CIRCUITRY FOR HIGH SPEED PERFORMANCE AND OUTSTANDING RELIABILITY. THE DLVAs ARE OF SUPERIOR CONSTRUCTION USING STATE OF THE ART MIC/MMIC TECHNOLOGY.

SPECIFICATIONS

- FREQUENCY RANGE 100 MHz TO 18 GHz
- FREQUENCY FLATNESS ± 1.0 dB MAXIMUM @ -20dBm (0.1 TO 18 GHz)
- LOGGING RANGE -30 TO +10 dBm
- USEFUL RANGE -30 TO +10 dBm
- LOG LINEARITY ± 1.0 dB MAXIMUM (-30 TO +10 dBm)
- LOG SLOPE 50mV/dB (OTHER SLOPES AVAILABLE)
- LOG SLOPE ACCURACY $\pm 4\%$ OF AVERAGE SLOPE
- TEMPERATURE STABILITY ± 1.0 dB MAXIMUM (-54° TO +85°C)
- PULSE RESPONSE 50ns TO CW
- RISE TIME 20ns MAX (10% TO 90% POINTS)
- SETTLING TIME 45ns MAXIMUM
- RECOVERY TIME 200ns TYPICAL 300ns MAXIMUM
- TSS -40dBm MINIMUM
- VSWR (RF) 3:1 MAXIMUM @ -20dBm (0.1 TO 18 GHz)
- MAXIMUM RF INPUT +13dBm MAXIMUM
- VIDEO OUTPUT LEVEL 0 TO 2.5 VOLTS (50 Ω MIN LOAD)
- DC POWER (NO LOAD)
 - +V 15V @ 120mA MAXIMUM
 - V 15V @ 80mA MAXIMUM
 - OTHER VOLTAGES AVAILABLE
- SIZE 2.2" X 1.5" X 0.4"



ENVIRONMENTAL RATINGS:

- TEMPERATURE: -55°C TO +85°C (OPERATING)
-65°C TO +125°C (STORAGE)
- HUMIDITY: MIL-STD-202F, METHOD 103B COND. B
- SHOCK: MIL-STD-202F, METHOD 213B COND. B
- VIBRATION: MIL-STD-202F, METHOD 204D COND. B
- ALTITUDE: MIL-STD-202F, METHOD 105C COND. B
- TEMPERATURE CYCLE: MIL-STD-202F, METHOD 107D COND. A

NOTE: SPECIFICATIONS WILL VARY OVER OPERATING TEMPERATURE
NOTE: THE ABOVE SPECIFICATIONS ARE SUBJECT TO CHANGE OR REVISION

ALL DIMENSIONS ARE IN INCHES
TOLERANCES:
X.XX ± 0.020
X.XXX ± 0.010

REVISIONS				
ZONE	REV.	DESCRIPTION	DATE	APPROVED
	-	ORIGINAL RELEASE JOB# D509210XPE	09/29/05	

AMERICAN MICROWAVE CORPORATION

7311-G GROVE ROAD
FREDERICK, MARYLAND 21704 USA
TEL: 301-662-4700 FAX: 301-662-4938
WEBSITE: www.americanmicrowavecorp.com
E-MAIL: sales@americanmicrowavecorp.com
ISO 9001:2000 CERTIFIED



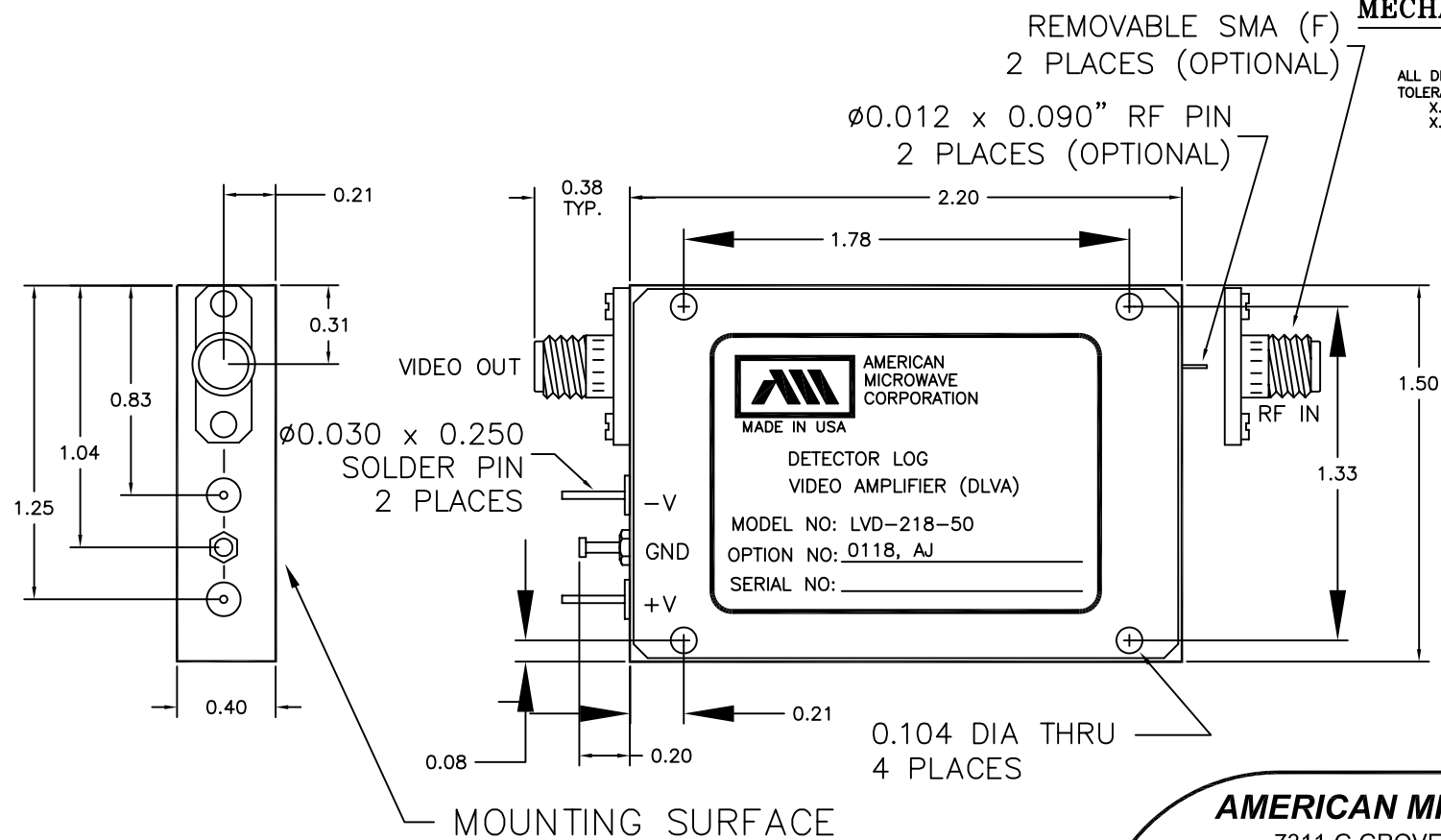
APPROVALS		DATE	TITLE			REV.
DRAWN <i>EJG</i>		9/29/05	PRODUCT FEATURE LVD-218-50 OPTION 0118, AJ			-
CHECKED			SIZE	FSCM NO.	DWG NO.	
ISSUED			A	60483	100-7511	
			SCALE	N:S	SHEET	1 OF 4

DESCRIPTION

AMC MODEL NO. LVD-218-50 OPTION 0118, AJ OPERATES FROM 100 MHz TO 18 GHz WITH A USEFUL DYNAMIC RANGE FROM -30 dBm TO +10 dBm AND IS TRULY DC COUPLED. UNITS EMPLOY PLANAR DIODE DETECTORS AND INTEGRATED VIDEO CIRCUITRY FOR HIGH SPEED PERFORMANCE AND OUTSTANDING RELIABILITY. THE DLVAs ARE OF SUPERIOR CONSTRUCTION USING STATE OF THE ART MIC/MMIC TECHNOLOGY.

REVISIONS				
ZONE	REV.	DESCRIPTION	DATE	APPROVED
	-	ORIGINAL RELEASE JOB# D509210XPE	09/29/05	

MECHANICAL OUTLINE



AMERICAN MICROWAVE CORPORATION

7311-G GROVE ROAD
FREDERICK, MARYLAND 21704 USA
TEL: 301-662-4700 FAX: 301-662-4938
WEBSITE: www.americamicrowavecorp.com
E-MAIL: sales@americamicrowavecorp.com
ISO 9001:2000 CERTIFIED



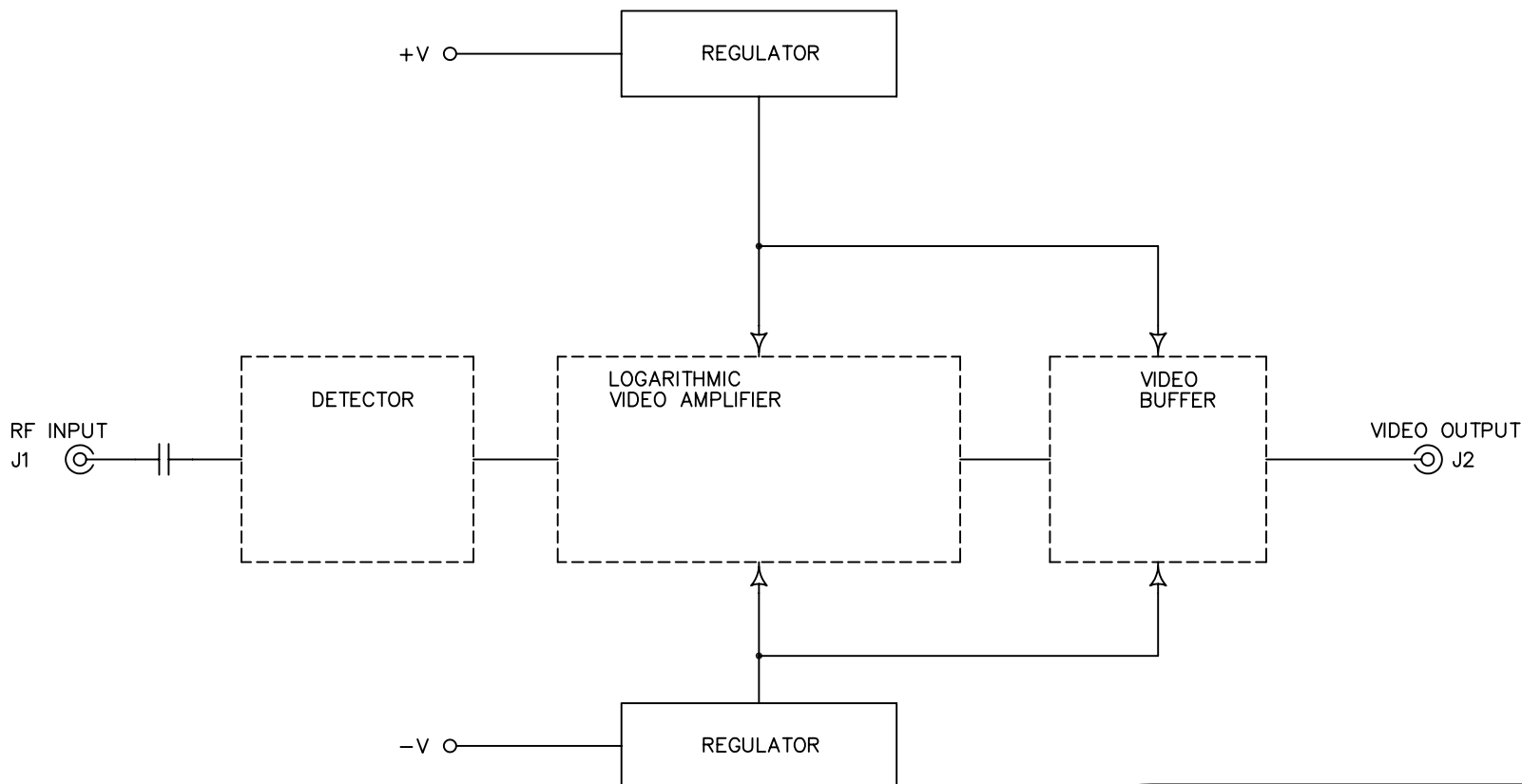
APPROVALS		DATE	TITLE		
DRAWN <i>EJG</i>		9/29/05	MECHANICAL OUTLINE LVD-218-50 OPTION 0118, AJ		
CHECKED			SIZE A	FSCM NO. 60483	DWG NO. 100-7511
ISSUED			SCALE N:S		REV. -
				SHEET	2 OF 4

DESCRIPTION

AMC MODEL NO. LVD-218-50 OPTION 0118, AJ OPERATES FROM 100 MHz TO 18 GHz WITH A USEFUL DYNAMIC RANGE FROM -30 dBm TO +10 dBm AND IS TRULY DC COUPLED. UNITS EMPLOY PLANAR DIODE DETECTORS AND INTEGRATED VIDEO CIRCUITRY FOR HIGH SPEED PERFORMANCE AND OUTSTANDING RELIABILITY. THE DLVAs ARE OF SUPERIOR CONSTRUCTION USING STATE OF THE ART MIC/MMIC TECHNOLOGY.

REVISIONS				
ZONE	REV.	DESCRIPTION	DATE	APPROVED
	-	ORIGINAL RELEASE JOB# D509210XPE	09/29/05	

FUNCTIONAL BLOCK DIAGRAM



AMERICAN MICROWAVE CORPORATION

7311-G GROVE ROAD
 FREDERICK, MARYLAND 21704 USA
 TEL: 301-662-4700 FAX: 301-662-4938
 WEBSITE: www.americanmicrowavecorp.com
 E-MAIL: sales@americanmicrowavecorp.com
 ISO 9001:2000 CERTIFIED



APPROVALS		DATE	TITLE		
DRAWN <i>EJG</i>		9/29/05	FUNCTIONAL BLOCK DIAGRAM LVD-218-50 OPTION 0118, AJ		
CHECKED			SIZE A	FSCM NO. 60483	DWG NO. 100-7511
ISSUED			SCALE N:S		REV. -
					SHEET 3 OF 4